



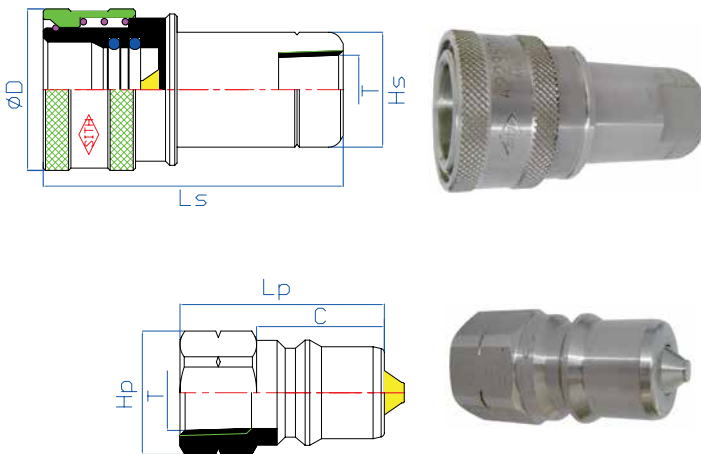
## DAA.DAB TYPE DOUBLE SHUT-OFF QUICK COUPLING

|  |   |  |   |      |
|--|---|--|---|------|
| Model                                    | 02  | 03   | 04  | 06   |
| Size                                     | 1/4"  | 3/8"   | 1/2"  | 3/4" |
| Material                                 | Brass BSBM / Stainless Steel SUS 304                              |  |   |      |
| Connection method                        | Socket  | Female screw [F]   |   |      |
|  | Plug  |  |   |      |
| Working pressure / Max. working pressure | Brass   | 50 / 75 (kgf/cm <sup>2</sup> )<br>4.9 / 7.4 (MPa)<br>711 / 1067 (psi)<br>49 / 74 (bar)   | 30 / 45 (kgf/cm <sup>2</sup> )<br>2.9 / 4.4 (MPa)<br>427 / 640 (psi)<br>29 / 44 (bar) |      |
|  | Stainless Steel   | 75 / 100 (kgf/cm <sup>2</sup> )<br>7.4 / 9.8 (MPa)<br>1067 / 1422 (psi)<br>74 / 98 (bar) | 45 / 65 (kgf/cm <sup>2</sup> )<br>4.4 / 6.4 (MPa)<br>640 / 925 (psi)<br>44 / 64 (bar) |      |
| Seal material: Working temperature range | Standard  | HNBR: -20°C ~ +120°C (-4°F ~ +248°F)   |   |      |
|  | Optional  | VITON: -20°C ~ +180°C (-4°F ~ +356°F)  |   |      |
| Applicable fluid                         | Hydraulic Oil / Air / Water / Vacuum                              |  |   |      |
| Use                                      | Hydraulic machine, Construction machinery, Agricultural machinery |  |   |      |

|          | Socket (S) | Plug (P) |
|----------|------------|----------|
| DA TYPE  |            |          |
| DAA TYPE |            |          |
| DAB TYPE |            |          |

**Notice: DA Type and DAA Type and DAB Type non interchangeable**

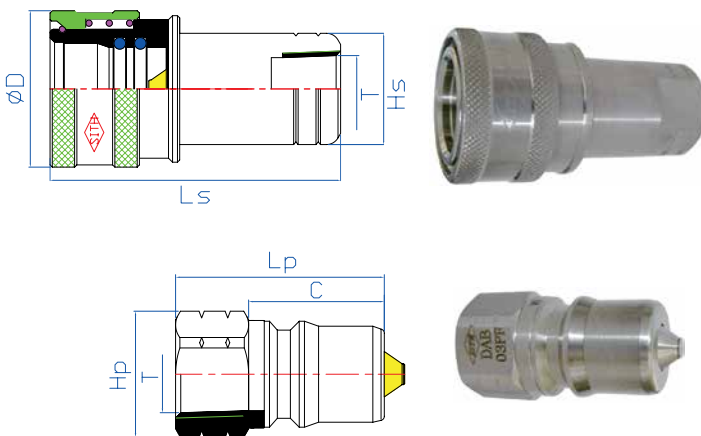
### DAA TYPE



| Computer No | Product Sign | Dimension (mm) |    |         |           |
|-------------|--------------|----------------|----|---------|-----------|
|             |              | Ls             | D  | Hs      | T         |
| A2235DAAJA  | 02SF         |                |    |         |           |
| A2235DAAJA  | 03SF         | 65             | 35 | 21D*16L | PT3/8"19P |
| A2235DAAJA  | 04SF         |                |    |         |           |
| A2235DAAJA  | 06SF         |                |    |         |           |

| Computer No | Product Sign | Dimension (mm) |    |                |           |
|-------------|--------------|----------------|----|----------------|-----------|
|             |              | Lp             | C  | Hp             | T         |
| A2235DAAJA  | 02PF         |                |    |                |           |
| A2235DAAJA  | 03PF         | 40             | 25 | Ø22.9*6HEX*21D | PT3/8"19P |
| A2235DAAJA  | 04PF         |                |    |                |           |
| A2235DAAJA  | 06PF         |                |    |                |           |

### DAB TYPE



| Computer No | Product Sign | Dimension (mm) |    |         |           |
|-------------|--------------|----------------|----|---------|-----------|
|             |              | Ls             | D  | Hs      | T         |
| A2235DABJA  | 02SF         |                |    |         |           |
| A2235DABJA  | 03SF         | 65             | 35 | 21D*16L | PT3/8"19P |
| A2235DABJA  | 04SF         |                |    |         |           |
| A2235DABJA  | 06SF         |                |    |         |           |

| Computer No | Product Sign | Dimension (mm) |    |                |           |
|-------------|--------------|----------------|----|----------------|-----------|
|             |              | Lp             | C  | Hp             | T         |
| A2235DABJA  | 02PF         |                |    |                |           |
| A2235DABJA  | 03PF         | 40             | 26 | Ø22.9*6HEX*21D | PT3/8"19P |
| A2235DABJA  | 04PF         |                |    |                |           |
| A2235DABJA  | 06PF         |                |    |                |           |

Dimension of T: NPT, BSP, etc. are available to produce besides PT. (Welcome to order special threads)