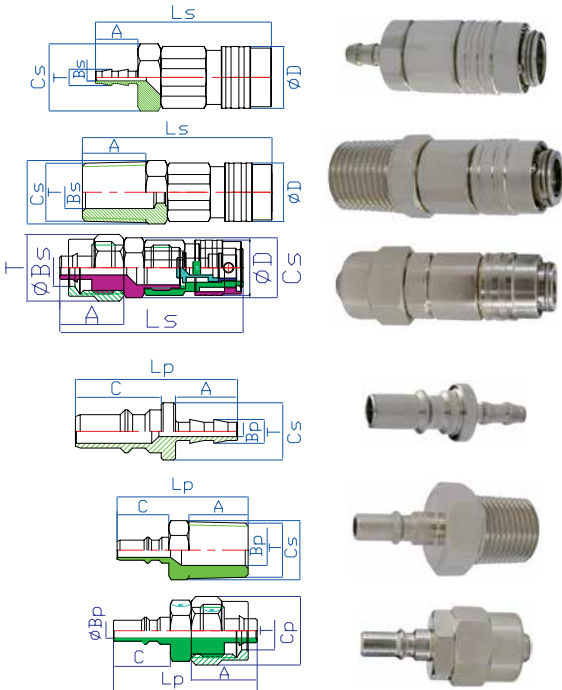
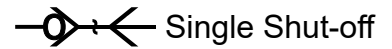


## MB / MC / MG / WAD TYPE QUICK COUPLING

### MB TYPE



Computer No	Product Sign	Dimension (mm)					
		Ls	D	Cs	A	T	Bs
A0115MBJA	10SH	27	9.5	Ø10.3*6HEX*9D	6.5	2.5	1.1

Computer No	Product Sign	Dimension (mm)					
		Ls	D	Cs	A	T	Bs
A0115MBJA	10SM	30.8	9.5	Ø11.4*6HEX*10D	10.3	PT1/8"28P	5

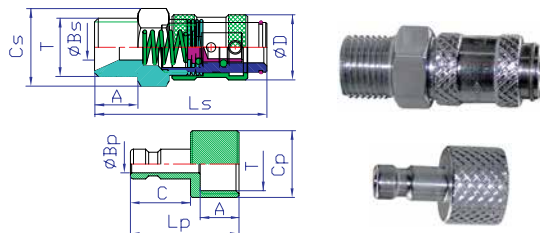
Computer No	Product Sign	Dimension (mm)					
		Ls	D	Cs	A	T	Bs
A0115MBJA	20SP	31.5	9.5	6HEX*Ø9	11	6HEX*10	6.4

Computer No	Product Sign	Dimension (mm)					
		Lp	C	Cp	A	T	Bp
A0115MBJA	10PH	17	9	6	6.5	2.5	1.1
A0115MBJA	15PH	17	9	6	6.5	5.7	3

Computer No	Product Sign	Dimension (mm)					
		Lp	C	Cp	A	T	Bp
A0115MBJA	10PM	22.8	9	Ø11.4*6HEX*10D	10.3	PT1/8"28P	5.3

Computer No	Product Sign	Dimension (mm)					
		Lp	C	Cp	A	T	Bp
A0115MBJA	20PP	24	9.5	6HEX*Ø10	11	6.4	2.5

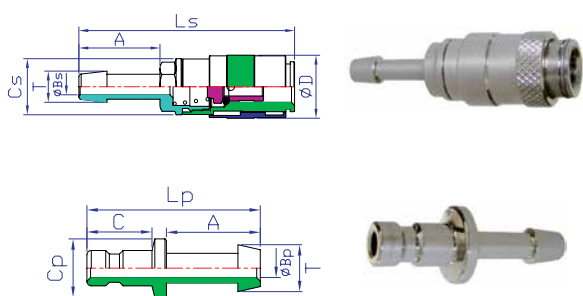
### MC TYPE



Computer No	Product Sign	Dimension (mm)					
		Ls	D	Cs	A	T	Bs
A0135MCJA	10SM	30	10.5	10.9	8	PT1/8"28P	4.1

Computer No	Product Sign	Dimension (mm)					
		Lp	C	Cp	A	T	Bp
A0135MCJA	10PF	17.9	9.9	11	6.4	PT1/8"28P	2.9

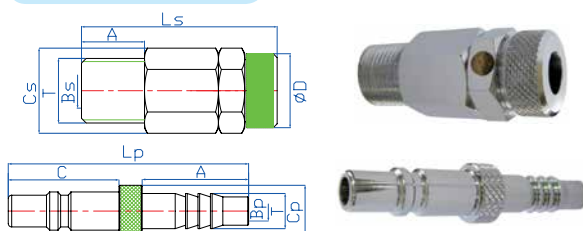
### MG TYPE



Computer No	Product Sign	Dimension (mm)					
		Ls	D	Cs	A	T	Bs
A0115MGMA	04SH	33.6	10	9	13	4.1	2
A0115MGMA	05SH	33.6	10	9	13	5.2	2.6

Computer No	Product Sign	Dimension (mm)					
		Lp	C	Cp	A	T	Bp
A0115MGMA	04PH	24	9	9	13	4.1	2
A0115MGMA	05PH	24	9	9	13	5.2	2.6
A0115MGMA	06PH	24	9	9	13	6.5	2.6
A0115MGMA	07PH	24	9	9	13	7.2	2.6

### WAD TYPE



Computer No	Product Sign	Dimension (mm)					
		Ls	D	Cs	A	T	Bs
A0135WAD	30SM	50	18.9	Ø21.7*6HEX*19D	16.1	PT3/8"19P	7.4

Computer No	Product Sign	Dimension (mm)					
		Lp	C	Cp	A	T	Bp
A0135WAD	25PH	56	25.8	12	24.8	8.2	5

- Max. pressure: 10 kg/cm<sup>2</sup> [1.0 MPa] [142 psi] [10 bar]
- Operating temp. range: (NBR) -20°C ~ +80°C (-4°F ~ +176°F) (VITON) -20°C ~ +180°C (-4°F ~ +356°F)